


Item	Industrial Gigabit Ethernet Switch
Model No.	IFS3402-F
Description	4 x 10/100/1000Base-T to 2 x 1000Base-FX
	

### Overview

The IFS3402-F is a high performance and cost-effective industrial un-managed switch that meets the high reliability requirements of industrial network operations. It designed to extend the distance of network by converting Gigabit Ethernet data between twisted pair cabling and multi-mode or single-mode fiber-optic cabling.

The IFS3402-F features 2x 1000Base-X SFP Slot and 4 x 10/100/1000Base-T twisted-pair port. The SFP slot port for any kind of MSA-compliant pluggable 1.25G SFP Transceivers, the twisted-pair port has 4 x RJ-45 connector with a maximum operating distance of 100m.

The IFS3402-F Industrial Gigabit Ethernet Switch is designed to stand up to extreme temperature, surges, vibrations, and shocks found in industrial automation, government, military, oil & gas, mining and outdoor applications, such as traffic management, oil and gas pipelines.

The IFS3402 series enables real-time deterministic network operation, requires no configuration and will instantly operate as soon as you power it up. Additionally, they can be installed by DIN-rail or wall-mounted, allowing users to deploy any mix of network conversions required.

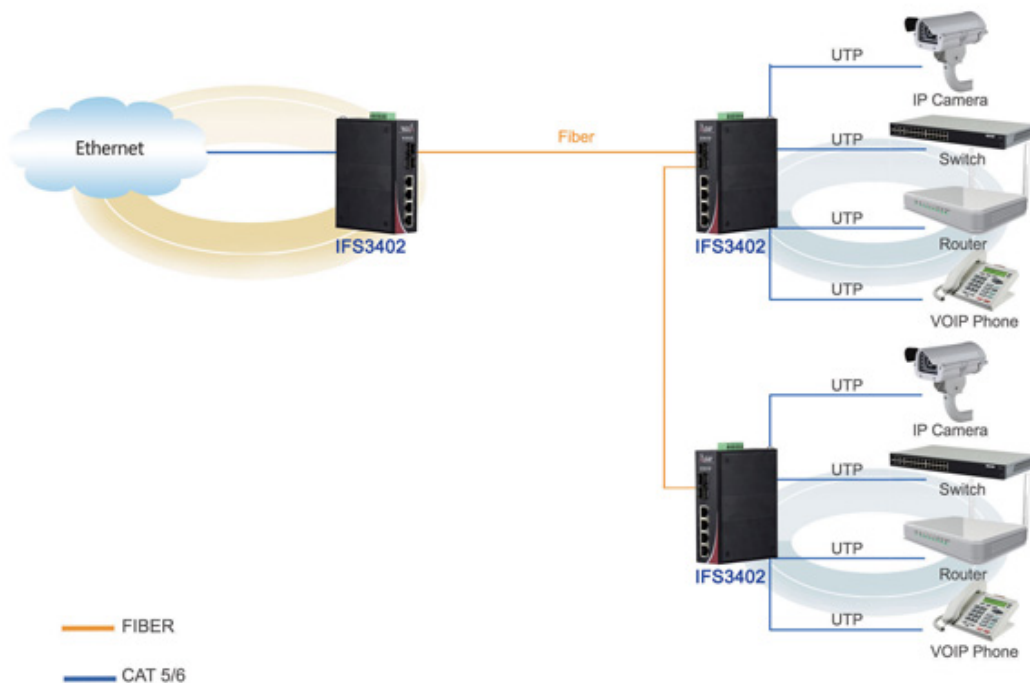
Many Backbone switch products now support the industry-standard IEEE802.1Q specification for VLANs that send extra-long data packets on the network. The IFS3402 series switches are fully compatible with these long packets, enabling them to be used in modern networks.

### Features

- Provide 4 x 10/100/1000Base-T(X)
- 2 x 1000Base-X SFP Slot for Daisy-Chain
- RJ45 support auto MDI/MDI-X function
- Auto-negotiation speed, half/full-duplex
- Store-and-forward
- Max packet size: 10K bytes
- Wide-range redundant power design ( 12~56VDC )
- Support wide operating temperature (-40 °C ~ +85 °C)
- Power polarity reverse protect
- Overload current resettable fuse present
- IP-40 protection
- Provides EFT protection for Power line
- Support Ethernet ESD protection
- DIN-Rail and Wall-Mounted Installation
- Low power consumption

## Applications

### Gigabit Ethernet Service Distributed via Fiber Daisy-Chain



## Technical Specifications

Standards	IEEE802.3 10Base-T, IEEE802.3u 100Base-TX IEEE802.3ab 1000Base-T IEEE802.3z 1000Base-SX/LX standards IEEE802.3x Flow control and back pressure IEEE802.1d Spanning Tree, IEEE802.1Q VLANs
Performance	Processing Type : Store and Forward MAC Table Size: 1024bit Buffer Space: 1Mbit Back bandwidth: 12G Time Delay: <20μs
Copper Port	Data Rate: 10/100/1000M Connector: RJ45 x 4 Distance: 100m
Fiber Port	Data Rate: 1.25G Connector: SFP slot x 2 Distance: Up to SFP Transceivers
LED indicators	PWR1: ON=Power Connected PWR2: ON= Power Connected FL/A: ON=Fiber Connected; Active=Data Transmitting TL/A: ON=Copper Connected; Active= Data Transmitting
Power	Input Voltage: 12~56 VDC, redundant power inputs Power Consumption: <5W Protection: Overload Current; Reverse Polarity Connector: Terminal Block
Environment	Operating Temperature: -40 °C ~ +85 °C Storage Temperature: -40 °C ~ +95 °C Relative humidity: 5-95% ( no condensation)
Physical Characteristics	Housing: IP40 Protection, Aluminum Alloy Installation: DIN-Rail , Wall-Mounted Dimension: 138*107*45mm Weight: 0.50kg

EMS Standards



AOA Technology Co., Limited.

Tel: +86-755-83553915 Email: sales@aoatech.com

Actuating Optical Advances

- IEC61000-4-2(ESD): +8KV (Contact Discharge), +15KV (Contact Discharge)
- IEC61000-4-3(RS): 10V/M (80-1000MHZ)
- IEC61000-4-4(EFT): power cables +4KV, signal cables +2KV
- IEC61000-4-5(Surge): power cables +4KV CM/+ 2KV DM, signal cables + 2KV
- IEC61000-4-6(RF coupling): 3V (10KHZ-150KHZ), 10V (150KHZ-80MHZ)
- IEC61000-4-8(Power Frequency Magnetic Field): 100A/M COUNT 1000A/M 1S TO 3S
- IEC61000-4-12/18(Damped Oscillatory Wave): 2.5KV CM, 1KV DM
- IEC61000-4-10(conducted disturbances): 30A/M
- IEC61000-4-16(common mode): 30V COUNT 300V, 1S
- IEC61000-6-2(Electromagnetic compatibility)
- IEC61850-3(electrical substation)
- IEEE1613 (electric power substations)
- EN50121-4(Rail Traffic)

**Order Information**

Model No.	Description
IFS3402-F	10/100/1000M ,4 x RJ45 + 2 x SFP Slot
Note: 1. Power supply provided by user or ordered additionally	